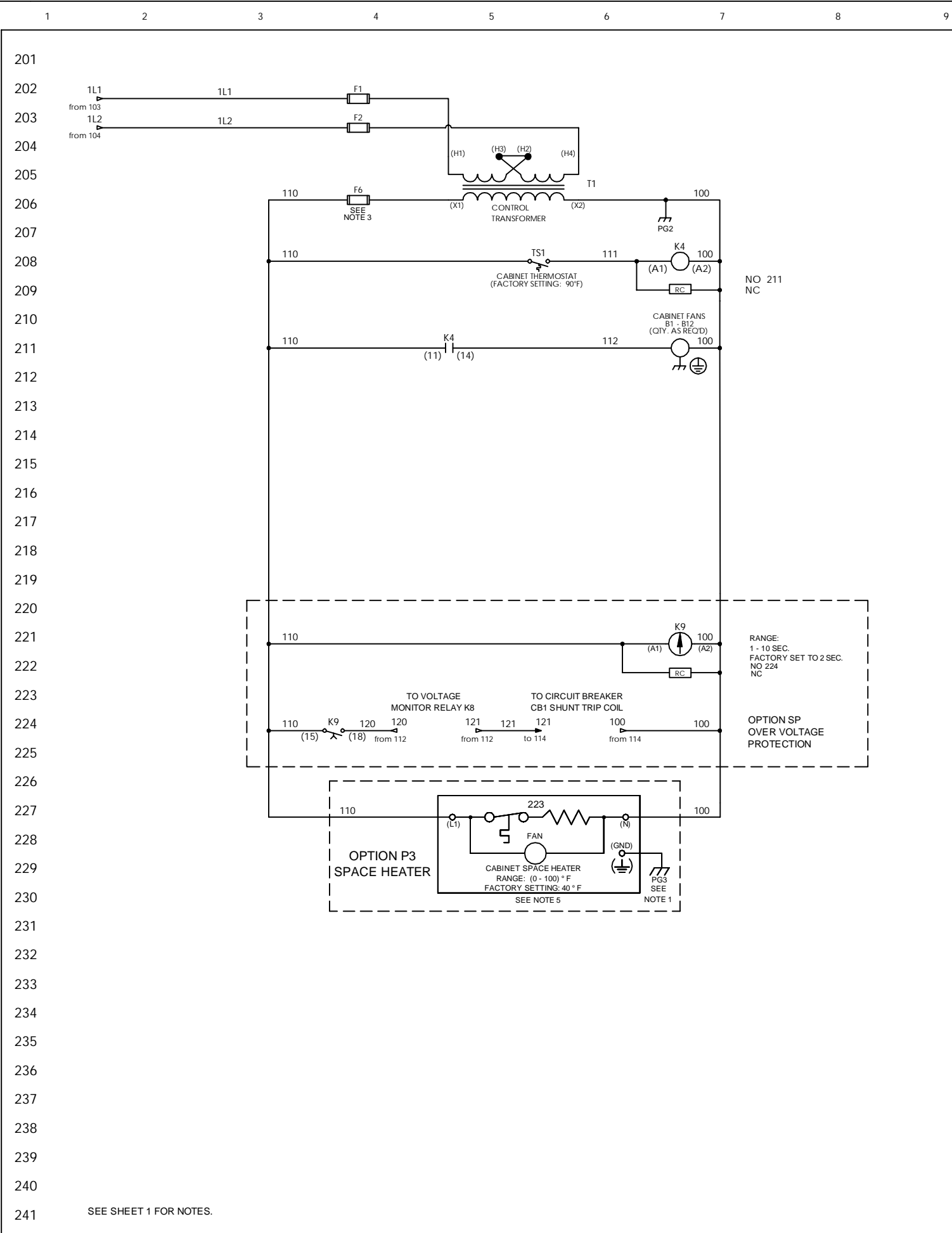


- NOTES:
- CONNECTED TO THE CABINET. CUSTOMER TO CONNECT THE CABINET GROUND LUGS TO EARTH GROUND AND UTILITY GROUND.
 - INSULATED TWISTED SHIELDED WIRE IS REQUIRED. SHIELD TO CONNECT TO PROPER TERMINAL AS SHOWN. CONNECT THE SHIELD ONLY AT THIS END. STUB AND ISOLATE THE OTHER END. DO NOT RUN THESE WIRES IN THE SAME CONDUIT AS THE AC POWER AND THE AC CONTROL WIRES. KEEP ALL WIRING UNDER 50m IN LENGTH.
 - WITH A CONTROL TRANSFORMER, T1, POWER RATING 350VA OR GREATER, SECONDARY FUSE F6 IS ADDED.
 - WITHOUT THE INPUT CIRCUIT BREAKER OPTION PC, OR WHEN NOTED ON THE CABINET NAMEPLATE, BRANCH CIRCUIT PROTECTION MUST BE SUPPLIED BY THE INSTALLER.
 - CUSTOMER TO ADJUST THE THERMOSTAT ON THE SPACE HEATER HR1 FOR THE MINIMUM DESIRED TEMPERATURE INSIDE THE DRIVE CABINET. THIS SET TEMPERATURE IS NORMALLY SELECTED TO BE SLIGHTLY HIGHER THAN THE MINIMUM AMBIENT TEMPERATURE OF THE AIR SURROUNDING THE CABINET AND IS THE TEMPERATURE AT WHICH THE SPACE HEATER HR1 WILL SHUT OFF.
 - CONDUIT FITTINGS/HUBS SHALL COMPLY WITH THE 'STANDARD FOR CONDUIT, TUBING, AND CABLE FITTINGS, UL 514B' OR CONDUIT FITTINGS HAVING THE SAME ENVIRONMENTAL RATING AS THE ENCLOSURE SHALL BE USED.
 - TERMINALS p1 AND n1 ARE FOR MOMENTARY POWER LOSS RECOVERY UNIT. DO NOT CONNECT TO AC POWER SUPPLY.

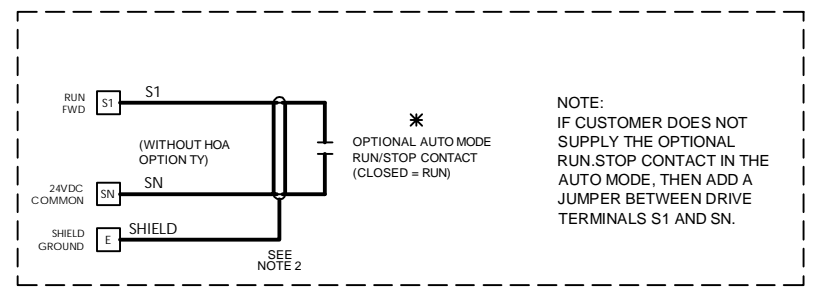
— INDICATES COMPONENTS NOT SUPPLIED BY YASKAWA
 * - INDICATES CUSTOMER WIRING
 ⚡ - CONNECTED TO THE CABINET OR PANEL

SEE DRAWING UDE00680 FOR DRIVE PARAMETERS.
 SEE DRAWING UDE00679 FOR CUSTOMER CONNECTIONS.

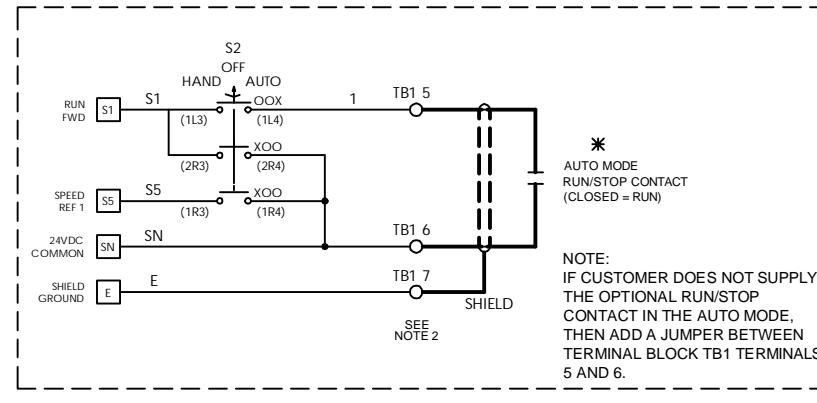
YASKAWA		DRAWN BY: N. LAWS	DATE 10/22/20	TITLE SCHEMATIC DIAGRAM U1000 CONFIGURED TYPE 3R, 480V
		CHECKED BY: K. PEOPLES	DATE 10/23/20	
		APPROVED BY: R. JENSEN	DATE 10/26/20	
		ORIGINAL DESIGN: N. LAWS	DATE 10/22/20	
REVISIONS REV. DESCRIPTION ECO # DRAWN BY DATE 01 UPDATED DRIVE BLOCK AND SPEED POT 11178 N. LAWS 02/24/21 00 INITIAL RELEASE --- N. LAWS 10/26/20		THIS DOCUMENT AND INFORMATION CONTAINED IN IT ARE CONFIDENTIAL, AND CANNOT BE COPIED OR DISCLOSED IN WHOLE OR IN PART WITHOUT THE EXPRESS WRITTEN CONSENT OF YASKAWA AMERICA INC.		
		TECH	DATE	SIZE D
		REVISION 01	PAGE 1 of 2	
		DRAWING # DS.U1E3.02		



RUN/STOP CONTROL (FROM SHEET 1)



OR



CONTACT SEQUENCE CHART FOR S2
X - INDICATES CONTACT CLOSED

CONTACT	POSITION			MANUF. LOCATION /TYPE
	HAND	OFF	AUTO	
1	X			1RO
2			X	1LO
3	X			2RO

SCHEMATIC SHOWS THIS POSITION.

OPTION TY

SEE SHEET 1 FOR NOTES.

YASKAWA

DRAWN BY: N. LAWS	DATE 10/22/20	TITLE SCHEMATIC DIAGRAM U1000 CONFIGURED TYPE 3R, 480V
CHECKED BY: K. PEOPLES	DATE 10/23/20	
APPROVED BY: R. JENSEN	DATE 10/26/20	SIZE D
ORIGINAL DESIGN BY: N. LAWS	DATE 10/22/20	REVISION 01
		PAGE 2 of 2

THIS DOCUMENT AND INFORMATION CONTAINED HEREIN IS CONFIDENTIAL AND NOT BE LOANED, REPRODUCED, COPIED OR DISCLOSED IN WHOLE OR IN PART WITHOUT THE EXPRESS WRITTEN CONSENT OF YASKAWA AMERICA, INC.

DS.U1E3.02